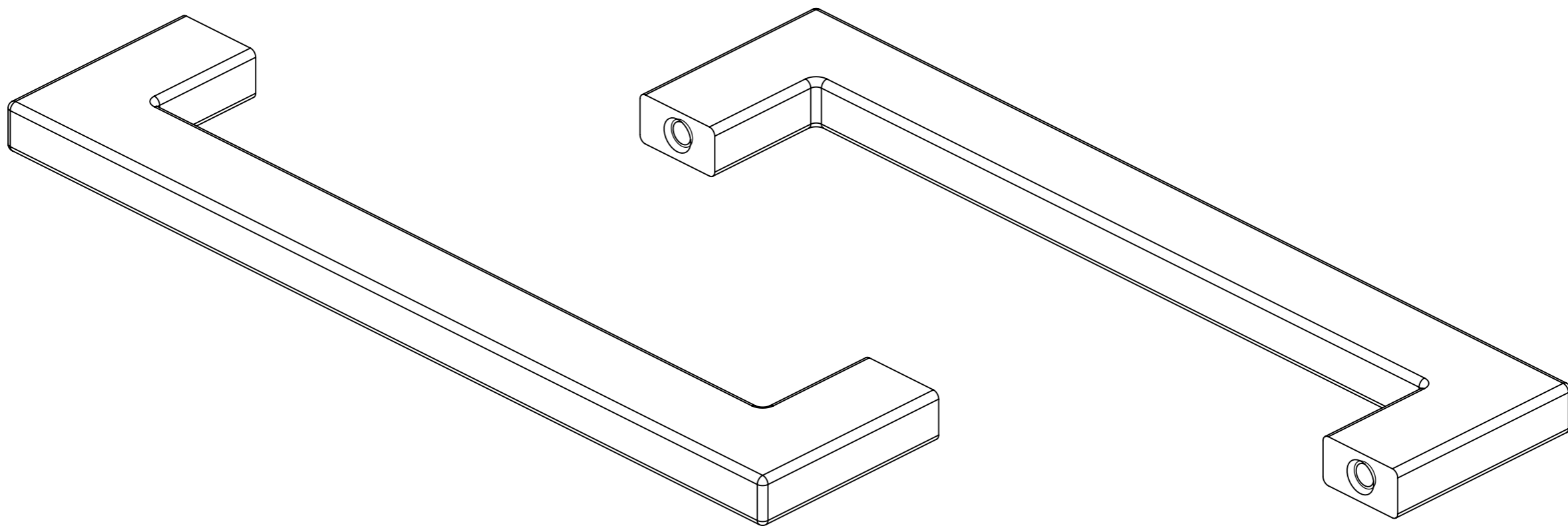


PART NO.	C/C	LENGTH
512860128	128	142
512860192	192	206
512860224	224	238
512860256	256	270
512860320	320	334
512860448	448	462

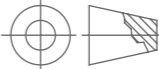

△B

Rev.:	Date:	Name:	Description:
B	04-07-2017	IKR	Length added
A	04-09-2008	PEKO	Initial release

Part name: FLAT	Projection: 	Sheet format: A3	Tolerance unless otherwise specified DS/ISO 2768-1M Linear dimensions: 0-3 3-6 6-30 30-120 120-400 400-1000 1000-2000 2000-4000 ± 0.1 ± 0.1 ± 0.2 ± 0.3 ± 0.5 ± 0.8 ± 1.2 ± 2
Customer:	Drawn by: PEKO date 04-09-2008	Scale: 1:1	
Part no.: 512860xxx	Page 1 of 2	Weight: grams	Angle Radius ± 0.5° ± 0.2
Material: Zinc	furnipart® Delta 2 Phone: +45 87 64 35 00 DK-8382 Hinnerup Fax: +45 87 64 35 01		
COPYRIGHT: THIS DRAWING MAY NOT BE COPIED OR REPRODUCED IN ANY WAY WITHOUT DIRECT PERMISSION FROM FURNIPART A/S			



Rev.:	Date:	Name:	Description:
B	04-07-2017	IKR	Length added
A	04-09-2008	PEKO	Initial release

Part name: FLAT	Projection: 	Sheet format: A3	Tolerance unless otherwise specified DS/ISO 2768-1M																			
Customer:	Drawn by: PEKO date 04-09-2008	Scale: 1.5:1	<table border="1"> <tr> <th>Linear dimensions:</th> <th>0-3</th> <th>3-6</th> <th>6 - 30</th> <th>30- 120</th> <th>120- 400</th> <th>400- 1000</th> <th>1000- 2000</th> <th>2000 - 4000</th> </tr> <tr> <td></td> <td>± 0.1</td> <td>± 0.1</td> <td>± 0.2</td> <td>± 0.3</td> <td>± 0.5</td> <td>± 0.8</td> <td>± 1.2</td> <td>± 2</td> </tr> </table>		Linear dimensions:	0-3	3-6	6 - 30	30- 120	120- 400	400- 1000	1000- 2000	2000 - 4000		± 0.1	± 0.1	± 0.2	± 0.3	± 0.5	± 0.8	± 1.2	± 2
Linear dimensions:	0-3	3-6	6 - 30	30- 120	120- 400	400- 1000	1000- 2000	2000 - 4000														
	± 0.1	± 0.1	± 0.2	± 0.3	± 0.5	± 0.8	± 1.2	± 2														
Part no.: 512860xxx	Material: Zinc	Weight: grams	<table border="1"> <tr> <th>Angle</th> <th>Radius</th> </tr> <tr> <td>± 0.5°</td> <td>± 0.2</td> </tr> </table>		Angle	Radius	± 0.5°	± 0.2														
Angle	Radius																					
± 0.5°	± 0.2																					
Page 2 of 2																						
<small>Delta 2 DK-8382 Hinnerup</small>		<small>Phone: +45 87 64 35 00 Fax: +45 87 64 35 01</small>																				
<small>COPYRIGHT: THIS DRAWING MAY NOT BE COPIED OR REPRODUCED IN ANY WAY WITHOUT DIRECT PERMISSION FROM FURNIPART A/S</small>																						